

H G F E D C B A

4

3

2

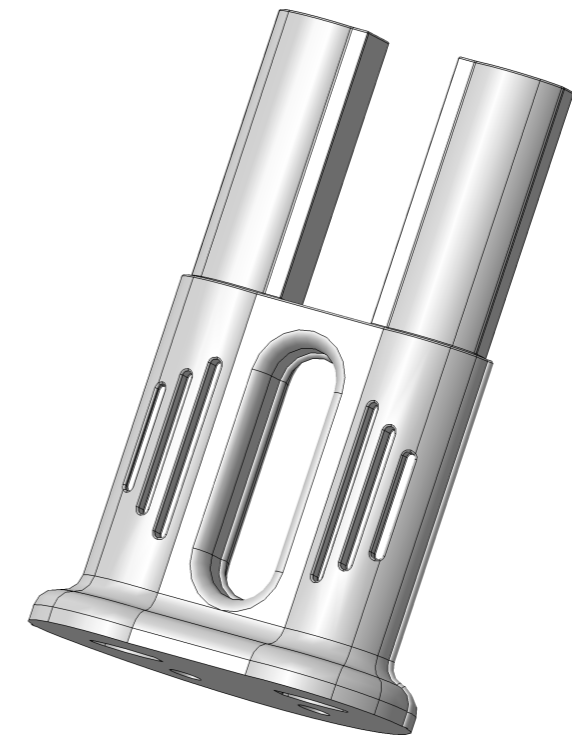
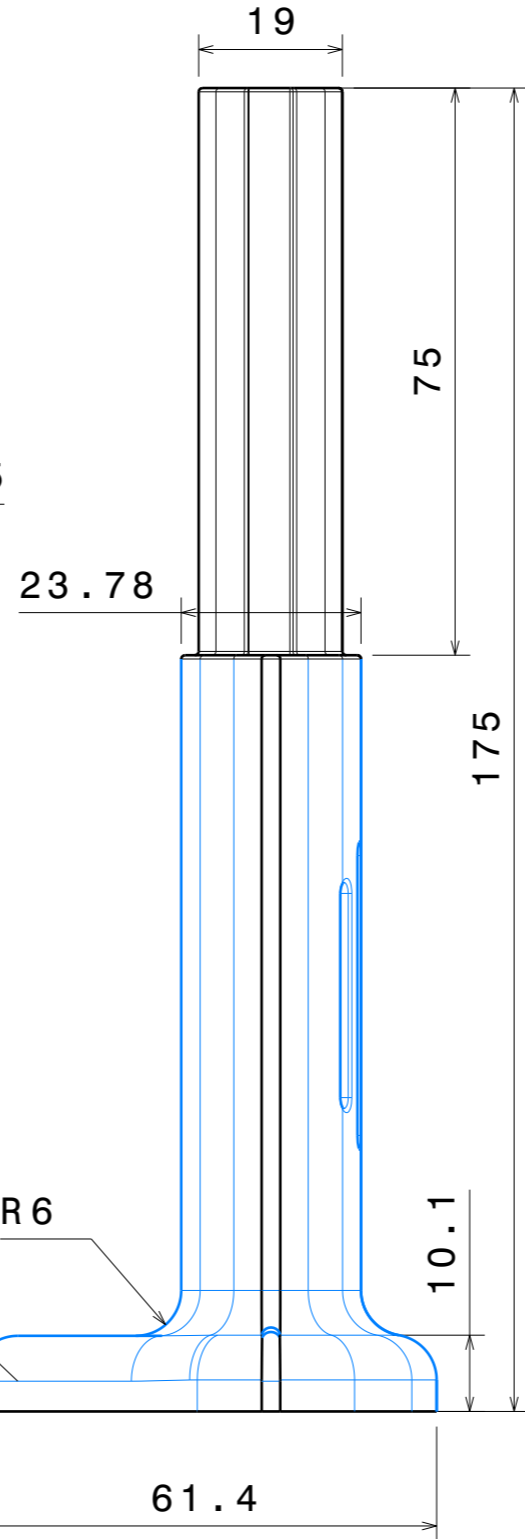
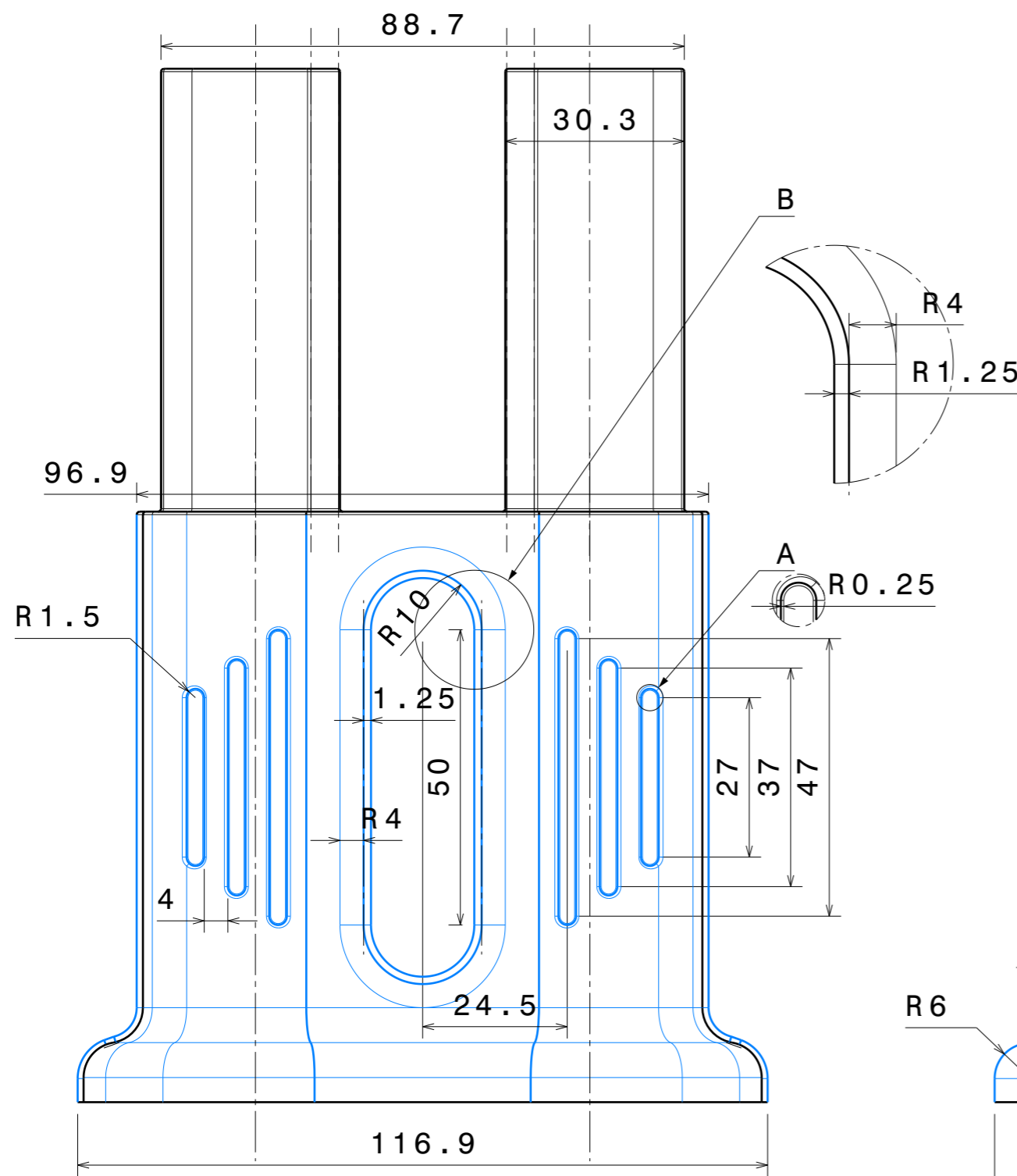
1

4

3

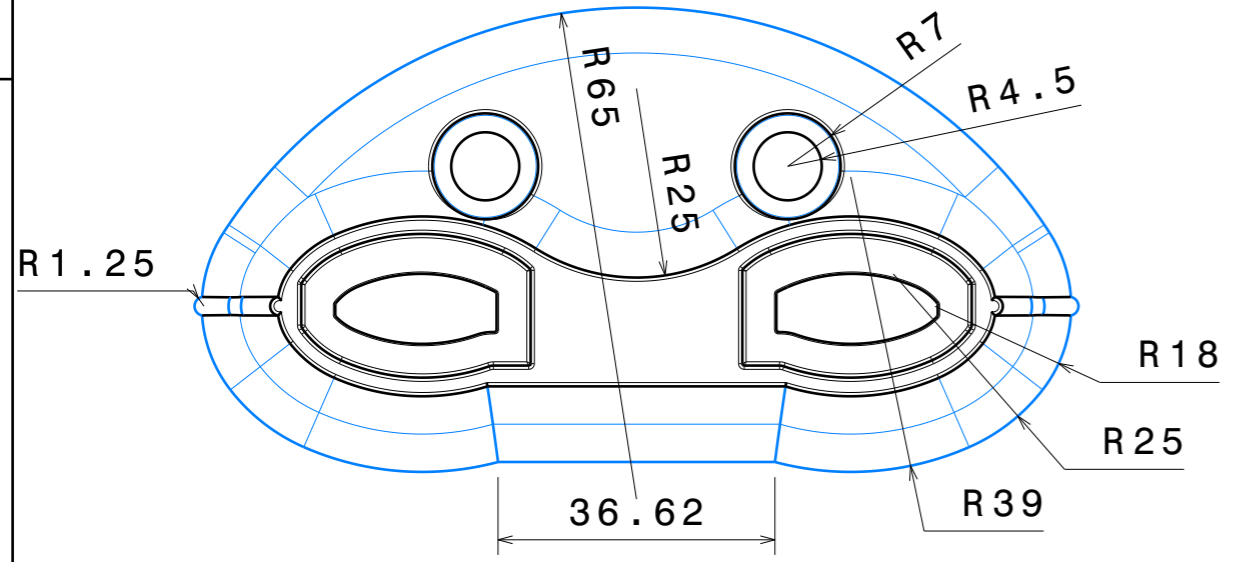
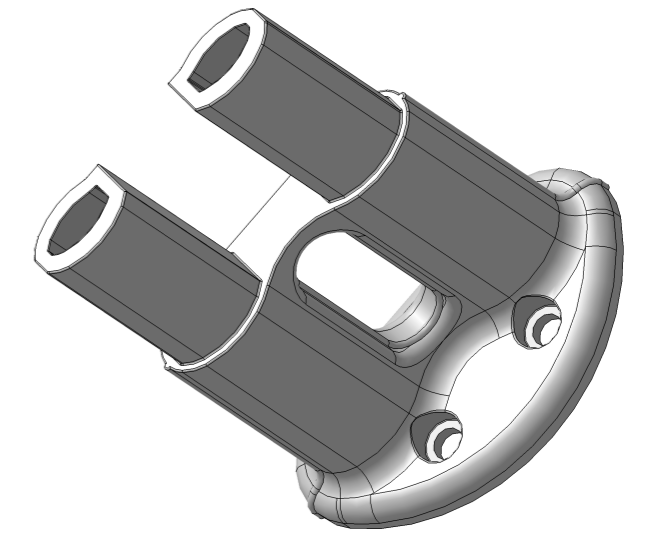
2

1



All unspecified external radii are 0'5mm, and interior radii 0'25mm.

Visible surfaces in blue



This drawing is our property. It can't be reproduced or communicated without our written agreement.

Eskimo Products Ltd.

DRAWN BY FJ	DATE 14/06/2019
CHECKED BY PW	DATE 14/06/2019
DESIGNED BY XXX	DATE XXX

DRAWING TITLE			
column feet			
SIZE A3	DRAWING NUMBER CF	REV A	
SCALE 1:1	Tolerances +0mm -0,25mm	SHEET 1/1	

H G B A